



## Babergh and Mid Suffolk FENCING POLICY

<b>Policy Date</b>	February 2024
<b>Approved by</b>	Deborah Fenton
<b>Review Date</b>	February 2025 (In line with changes in legislation)
<b>Author</b>	BMSDC Building Services

## 1. Introduction

This is Babergh and Mid Suffolk District Councils' joint fencing policy. Both Councils are committed to providing an efficient repairs and maintenance service whilst meeting all their legal and contractual obligations as Landlords.

Both Councils are committed to ensuring that current properties are maintained to acceptable standards and meet or exceed the legal minimum Decent Homes standards with regard to structure, repair, modern facilities and services and thermal comfort.

Demand for fencing will always exceed resources available and there is a need for a consistent and transparent approach to manage what the councils are able to deliver to its tenants. The Councils have no statutory responsibility to provide fencing to tenants or to repair fencing.

We will only repair (or renew if it is beyond repair) a rear boundary fence bordering a public area. For example, if the fence forms a boundary to an amenity green, service road or an alleyway which would allow access to the back garden, as this would be deemed a security risk.

## 2. Policy Aims

The purpose of this document is to provide a clear policy to be adopted across both Councils to establish and maintain an agreed standard and a consistent approach for all new and replacement fencing, to assist staff to apply the policy clearly, consistently, and fairly and adopt a proactive approach to advising tenants of their responsibilities and:

- To ensure adherence to the tenancy agreement and tenancy handbook
- To make clear tenant and BMSDC responsibilities.

## 3. Councils Responsibilities

As your landlord, we are responsible for fences, walls and gates that border public highways, paths, amenity areas, and open fields. We are also responsible for fence lines in common areas of blocks or flats.

We will only repair (or renew if it is beyond repair) a rear boundary fence bordering a public area. For example, if the fence forms a boundary to an amenity green, service road or an alleyway which would allow access to the back garden, as this would be deemed a security risk, for example:

- If the fence divides your home from your neighbour's, then **you** are responsible for maintaining it.

- If it divides your home from a public area, then **we** are responsible for maintaining it.

We will repair these items when they are damaged on a like-for-like basis. We will also replace sections of fencing if we are unable to repair it.

Where it would be more cost-effective to replace a damaged brick wall with a wooden fence, we will do so. Where we replace with wooden fencing we will use unstained pressure-treated timber. We do not provide privacy panels.

It is expected that fencing and gates to Void properties will be left in a sound condition by the outgoing tenant. Where fencing is not left in sound condition BMSDC will repair the fencing as required to meet the lettable standard and the outgoing tenant maybe required to pay for these works under the re-chargeable repairs policy. Full fencing replacement is not anticipated and will only be carried out in exceptional circumstances or as part of a capital investment programme or estate regeneration programme.

Fences and gates will **not** be provided by the Council to separate front and rear gardens. Existing fences and gates to these positions whether erected by the Council or not, will no longer be maintained or renewed by the Councils.

When a **temporary** fence line is required and or for demarcation purposes, only a timber post and 3 strand wire fences will be erected.

Where an existing boundary hedge adequately demarks a Council boundary it will **not** be removed and replaced by a fence, except in exceptional circumstances and only if in the Council's interest to do so.

Fences will not be erected to keep pets, animals, children, or persons in or out of gardens. The Council is not responsible for the security of tenants' belongings kept within garden areas. It is the tenants' responsibility to ensure that their belongings are adequately protected and insured as may be appropriate.

#### 4. Tenant Responsibilities

Tenants are responsible for fences, walls and gates that **do not** adjoin public highways or paths. Where fence lines are between gardens responsibility between neighbours will be determined by title deeds ,land registry confirmation or local agreement, this applies regardless of whether the neighbour is a private owner or council tenant refer to FAQ's below:

We recommend that you let your neighbours know before you start any work on or near the boundary between your home and theirs. If you are not sure where the boundary of your garden is, please contact the Tenancy Management Team on 0300 123 4000 or e-mail [tenancy.management@baberghmidsuffolk.gov.uk](mailto:tenancy.management@baberghmidsuffolk.gov.uk)

If the fence is between your property and another property, you can discuss this with your neighbour and make a decision as to who will repair the fence or whether to share the costs of the repair between you.

FAQ's:

**Q: The fence between my home and my neighbours home has been damaged beyond repair – do I have to replace it?**

A:Yes: it is your responsibility and/or your neighbours to maintain a safe and secure boundary between your home and any adjoining home. In the event of irreparable damage to a dividing fence you can discuss this with your neighbour and make a decision as to who will repair the fence.

**Q: Can I paint my fence?**

A:Yes: you do not need to ask us for permission to paint or otherwise decorate your fence, providing the decoration is of a good standard, and your fence is within the boundary of your home.

**Q: The fence between my home and my neighbour's home was blown down by a storm – do I still have to repair it?**

A:In the unfortunate event of damage caused by extreme weather to a fence that you are responsible for maintaining, it is still your responsibility to pay for repairs or replacement. (most insurers exclude storm damage to fence-lines from their cover; however a few include it as an optional extra it is always worth asking when you request a quote for your home content insurance)

## 5. Tenant Alterations

Alterations to fences and gates erected by the Councils will not be permitted unless agreed in writing following a successful Tenant Alteration application. Where a tenant wishes to alter an existing fence or gate or requires a different height or style of fence or gate to this policy, permission may be given for them to provide the fence themselves.

However, the following conditions will apply:

- The Boundary must be the responsibility of Babergh and Mid Suffolk District Councils.
- A Tenant Alteration must be applied for on the appropriate form and approved in writing prior to any work being undertaken.
- Full details of the fence/s to be erected must be provided by the tenant, including a plan clearly identifying the property boundaries to which the application relates, plus the type, materials, height, length and colour where appropriate.
- The fence must be erected on the true boundary line.
- The fence must be erected within the agreed timescale.

- The full cost of all work must be met by the tenant, including any necessary clearance of the boundary line and removal/disposal of the existing fencing.
- The Councils will not contribute to the cost of fences erected by a tenant.
- All boundary fences erected by a tenant will be inspected to approve the finished position, height, quality of materials and the workmanship.
- Where a tenant has (under an approved Tenant Alteration) erected their own fence or gate, the Councils will only renew these after a minimum period of 10 years has expired from the date the fence was erected.
- The Councils will not repair any fences or gates which have been erected by the tenant.

The application of stain or wood preserver in a natural colour i.e. shades of brown or green will be allowed.

## 6. Repairs

Where a repair only becomes necessary to an existing boundary fence, this will be carried out like for like in matching materials to that which exists.

When it becomes necessary to replace a section or sections of existing boundary fencing with new, the visiting officer/operative will make a decision as to the work required i.e., whether it should be renewed to match the existing fencing, or whether it should be renewed to the new standards. This decision will be based upon the following: -

- Type and age of fencing.
- Length of the section/s to be replaced.
- Length of the remaining section/s.
- Cost of replacing the dilapidated section/s to match existing.
- Condition of the remaining section/s.
- Estimated life expectancy of remaining Sections
- Cost to replace the total length of fencing to the new standard.

Woven fence panels will only be used as a replacement for existing woven panels where these are damaged beyond repair and where replacement with new fencing to the entire (or a significant length) is not, yet an appropriate option based on the above criteria.

## 7. New Fencing

Fences and gates will not be provided by the Council to separate front and rear gardens. Existing fences and gates to these positions whether erected by the Council or not, will no longer be maintained or renewed by the Councils.

When a temporary fence line is required and or for demarcation purposes, only a timber post and 3 strand wire fences will be erected.

Where an existing boundary hedge adequately demarks a Council boundary it will not be removed and replaced by a fence, except in exceptional circumstances and only if in the Council's interest to do so.

Fences will not be erected to keep pets, animals, children, or persons in or out of gardens. The Council is not responsible for the security of tenants' belongings kept within garden areas. It is the tenants' responsibility to ensure that their belongings are adequately protected and insured as may be appropriate.

All property boundaries which are confirmed to be the responsibility of the Councils, where fences are to be renewed to the whole or a significant length, will be replaced with **1.8m high vertical close boarded panels between slotted concrete posts**.

The only exceptions to the above will be: -

- **To front gardens** - 1.0m high feather edge close boarded or palisade fencing may be considered. No fencing in excess of 1.0m high shall be used anywhere in front gardens or in front of the building line.
- Where the external doors of adjacent properties face each other, the 1.8m high rear garden boundary fence may be extended if practical to do so, but no further than the front elevation/s.
- **To rear boundaries which separate the property from open fields etc** - consideration to be given to the style and type of fences which exist to the rear boundaries of neighbouring properties.
- Where extraordinary circumstances require that it is necessary for a new fence to be erected which differs from the above standard proposals, approval must be obtained from the Building Services DLO & Operations Manager.

## 8. Gates

Where front gardens are enclosed by fencing a standard timber gate 900mm wide x 900mm high framed ledged braced and feather edge boarded gate complete with hinges and latch on 100 x 100mm timber posts will be provided in line with the internal front garden footpath at the point on the boundary where it meets the public or private footpath.

No new gates will be provided, or existing gates renewed to front gardens which are not enclosed by fencing. Where front gates provided by the Council exist to un-fenced front gardens, these will be repaired only while it is economically viable to do so. If unable to repair they will be removed.

Where access to the rear garden is off of a public or private footpath and the gardens are enclosed by fencing a standard timber gate 900mm wide x 900 or 1800mm high (to match the existing fence height) framed ledged braced and feather edge boarded gate complete with hinges and latch on 100 x 100mm timber posts will be provided.

No new gate openings are to be created and no new gates are to be provided to rear gardens where none have previously existed to give access to rear gardens.

Where concrete restraining posts form gate openings 100 x 50mm timber plates can be used in place of 100 x 100mm gate posts. However, these will be securely bolted to the concrete posts.

## 9. Materials

All timber used for fencing, gates and posts will be pressure treated with a natural colour preservative to provide a minimum 5-year protection. All fencing workmanship, materials and fixings will be as per the individual specifications and drawings appended to this policy.

## 10. Treating Fencing

Regardless of who is responsible for the fence a resident may treat it with a stain or wood preserver in a natural colour (i.e. shades of brown or green).

## 11. Recharges

Damage to fencing or gates caused by the tenant or a tenant's visitor will be subject to recharge under the rechargeable repairs policy where it is our responsibility.

Fencing or walls erected by a tenant without permission will not become the responsibility of BMSDC. In these circumstances BMSDC will repair or remove the fence or wall if the structure is considered dangerous and the tenant will be recharged for any works in line with the rechargeable repairs policy.

Where a tenant has modified a fence or wall without permission BMSDC will not be responsible for its repair other than to make it safe, if the structure is considered dangerous. In these circumstances the tenant will be recharged for the works in line with the rechargeable repairs policy

If, after being given reasonable notice, a tenant does not keep in good repair or renew a fence that is their responsibility to maintain under this policy, the council may carry out the works itself and erect a suitable fence, appropriate to the type of boundary, and will recharge the tenant for the cost of the work.

If a tenant fails to maintain their garden and, as a result, damages a fence owned by a third party to the point that it has to be replaced, we may, after giving reasonable notice to the tenant carry out repairs or replacement and recharge the tenant for that element of the cost.

Generally, any work that the council carries out that are the tenant's responsibility under this policy or the conditions of tenancy will be recharged and recovered in line with our recharge policy.

### At the end of a tenancy:

The council will be obliged to remove any fencing or other boundary structure that is found to be in a damaged, unsatisfactory, or unsafe condition. These works will be recharged to the former tenant(s) in line with BMSDC's recharge policy. A member of the repairs & maintenance team will discuss this with the tenant during the pre-void inspection visit.

Any natural boundary hedging exceeding 5'3" at the front of the property and/or 6'6" at the rear of the property and /or dividing boundaries at the end of a tenancy will be cut by BMSDC and the cost of this work will be recharged to outgoing tenant(s). A member of the repairs & maintenance team will inform the tenant(s) of the recharge at the pre-void inspection visit.

## 12. Links and Appendices

- Recharge Policy: [BMSDC Repairs Recharge Policy](#)
- Property Alteration Request: [BMSDC Alteration Request](#)
- Lettable Standard: [BMSDC Void Lettable Standard](#)
- Standard Fencing Drawings: Included at the end of this policy.

## 13. Version Control Table

Version	Date	Author	Rationale
0.1	September 2023	Head of Operations and DLO	Refreshed Policy
0.2	February 2024	Head of Operations and DLO	Parts rewritten to ensure Council v Tenant Responsibilities are clear.

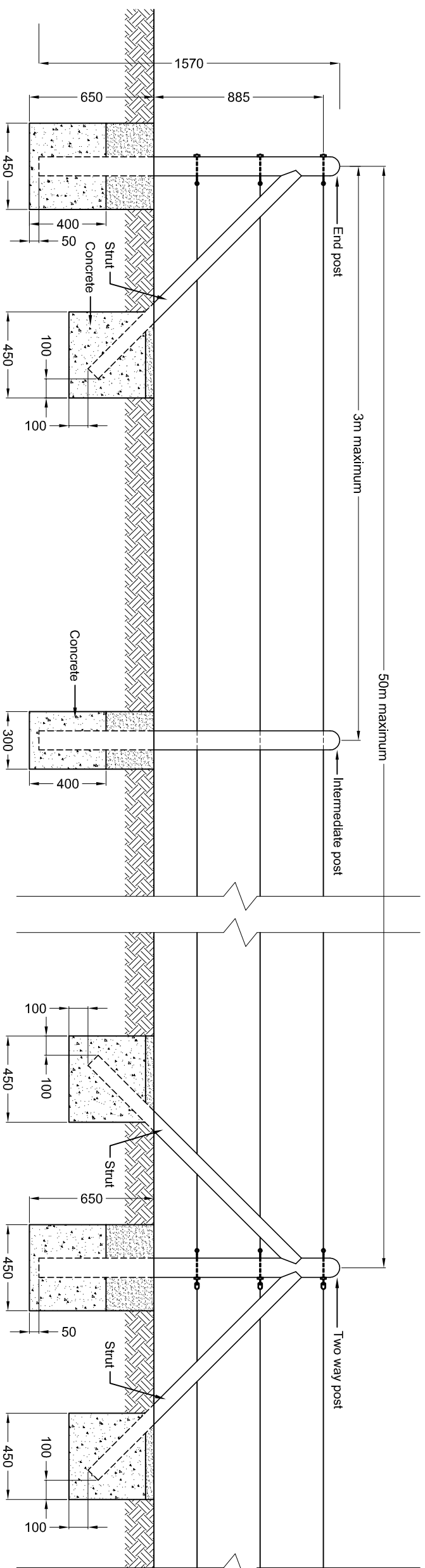


Refer to B.M.S.D.C. Fencing Policy

900mm 3 LINE STRAINED WIRE FENCING

ALL FENCING WORKS TO BE IN ACCORDANCE WITH BS1722

**NOTE**  
 This drawing must not be reissued, loaned or copied without the written consent of Mid Suffolk District Council, (the originator).  
 All errors, omissions, discrepancies should be reported to the originator immediately.  
 All dimensions to be checked before site fabrication by the contractor, his sub-contractor or supplier.  
 Do not scale plans - use figure or grid dimensions where given.  
 Any deviation from the drawing to be reported to the originator immediately.



**MATERIALS**

- Intermediate posts 1570mm x 100>75mm
- End posts 1570mm x 100mm x 100mm
- Struts 1520mm x 75mm x 75mm
- Two way posts 1570mm x 75mm x 75mm
- Line wire to be 4.0 diameter mild steel or 3.15mm diameter high tensile steel to BS4102
- Concrete for post footings to be GEN1.
- All wire and fittings to be galvanised to BS729.

**ERECTION**

- Holes for straining posts will not be less than 450mm square and holes for struts not less than 450mm long by 300mm wide. They will have vertical sides.
- The holes for straining posts and struts will be filled to a minimum of 400mm depth with concrete. The concrete will be well rammed as filling proceeds. Before the concrete has hardened the remainder of the hole will be filled with earth and well rammed as filling proceeds.
- Holes for intermediate posts will have vertical sides and be sufficient size to allow 75mm surround of concrete. The concrete to be placed as for straining posts.

NOT TO SCALE

REV	DATE	DESCRIPTION	CLIENT	SCALE
PROJECT		FENCING CONTRACT		
SUBJECT		TYPICAL DETAIL		
PROJECT NR		DRAWING NR		
01		J.O. N.J.		
DATE		MAY 2020		
SCALE		NOT TO SCALE		
CHECKED		J.O. N.J.		

**Babergh & Mid Suffolk District Council**  
**BUILDING SERVICES**  
 Endeavour House, 8 Russell Road,  
 Suffolk, IP1 2BX.  
 Tel. No: 0300 1234000

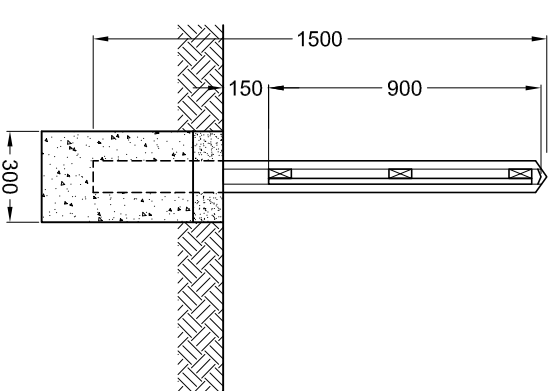
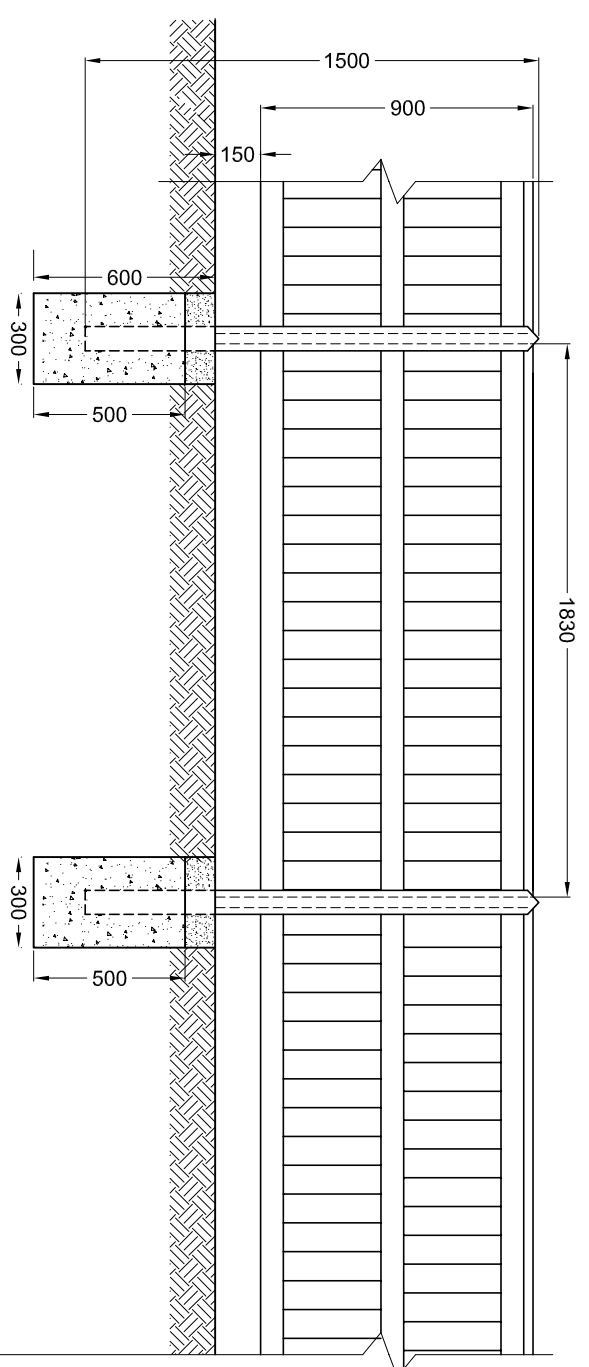


Refer to B.M.S.D.C. Fencing Policy

### 1000mm CLOSEBOARDED FENCING

ALL FENCING WORKS TO BE IN ACCORDANCE WITH BS1722

**NOTE**  
 This drawing must not be reissued, loaned or copied without the written consent of Mid Suffolk District Council, (the originator).  
 All errors, omissions, discrepancies should be reported to the originator immediately.  
 All dimensions to be checked before site fabrication by the contractor, his sub-contractor or supplier.  
 Do not scale plans - use figure or grid dimensions where given.  
 Any deviation from the drawing to be reported to the originator immediately.



- MATERIALS**
- 1500 x 105 x 80 Slotted concrete posts
  - 1830 x 900 Closeboard fence panels
  - 1830 x 50 x 150mm Concrete gravel boards
  - Concrete for post footings to be GEN1.

- ERECTION**
- Rails to be on the owners side of the fence.
  - Holes for concrete posts will not be less than 300mm square.
  - Holes will be filled to a minimum of 500mm with concrete. The concrete will be well rammed as filling proceeds. Before the concrete has hardened the remainder of the hole will be filled with earth and well rammed as filling proceeds.

REV	DATE	DESCRIPTION	CLIENT	SCALE
PROJECT		FENCING CONTRACT		
SUBJECT		TYPICAL DETAIL 1000mm CLOSEBOARDED FENCING	DATE May 2020	SCALE NOT TO SCALE
PROJECT NR		DRAWING NR 06	REV	DRAWN J.O.
				CHECKED N.J.

**Babergh & Mid Suffolk District Council**

**BUILDING SERVICES**

Endeavour House, 8 Russell Road,  
 Suffolk, IP1 2BX.  
 Tel. No: 0300 1234000



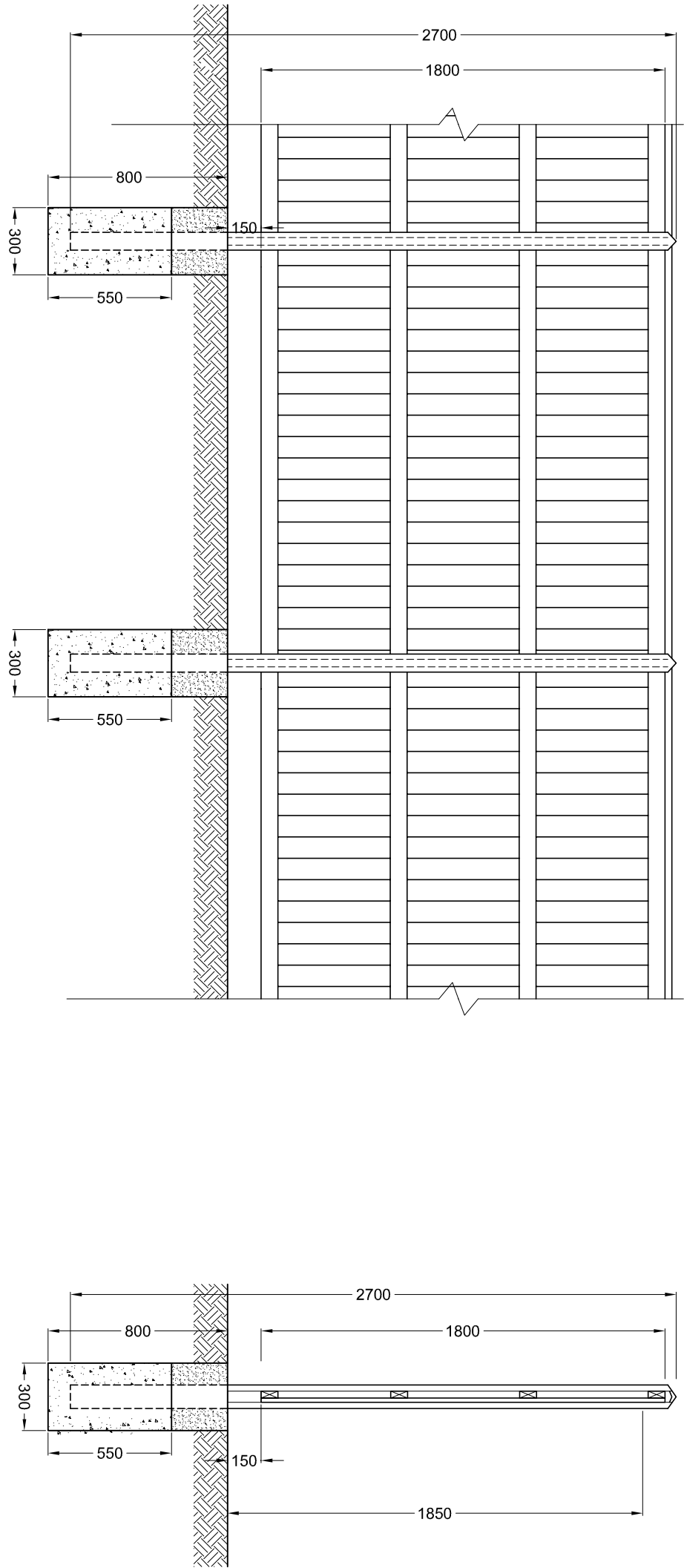
NOT TO SCALE

**NOTE**  
 This drawing must not be reissued, loaned or copied without the written consent of Mid Suffolk District Council, (the originator).  
 All errors, omissions, discrepancies should be reported to the originator immediately.  
 All dimensions to be checked before site fabrication by the contractor, his sub-contractor or supplier.  
 Do not scale plans - use figure or grid dimensions where given.  
 Any deviation from the drawing to be reported to the originator immediately.

**ALL FENCING WORKS TO BE IN ACCORDANCE WITH BS1722**

Refer to B.M.S.D.C. Fencing Policy

**1800mm CLOSEBOARDED FENCING**



- MATERIALS**
- 2700 x 105 x 80 Slotted concrete posts
  - 1830 x 1800 Closeboard fence panels
  - 1830 x 50 x 150mm Concrete gravel boards
  - Concrete for post footings to be GEN1.

- ERECTION**
- Rails to be on the owners side of the fence.
  - Holes for concrete posts will not be less than 300mm square.
  - Holes will be filled to a minimum of 550mm with concrete. The concrete will be well rammed as filling proceeds. Before the concrete has hardened the remainder of the hole will be filled with earth and well rammed as filling proceeds.

**NOT TO SCALE**

REV	DATE	DESCRIPTION	CLIENT	SCALE
PROJECT		FENCING CONTRACT		
SUBJECT		TYPICAL DETAIL		
PROJECT NR		DRAWING NR		
07		J.O. N.J.		
DATE		MAY 2020		
SCALE		NOT TO SCALE		
DRAWN		CHECKED		
J.O.		N.J.		

**Babergh & Mid Suffolk District Council**  
**BUILDING SERVICES**  
 Endeavour House, 8 Russell Road,  
 Suffolk, IP11 2BX.  
 Tel. No: 0300 1234000

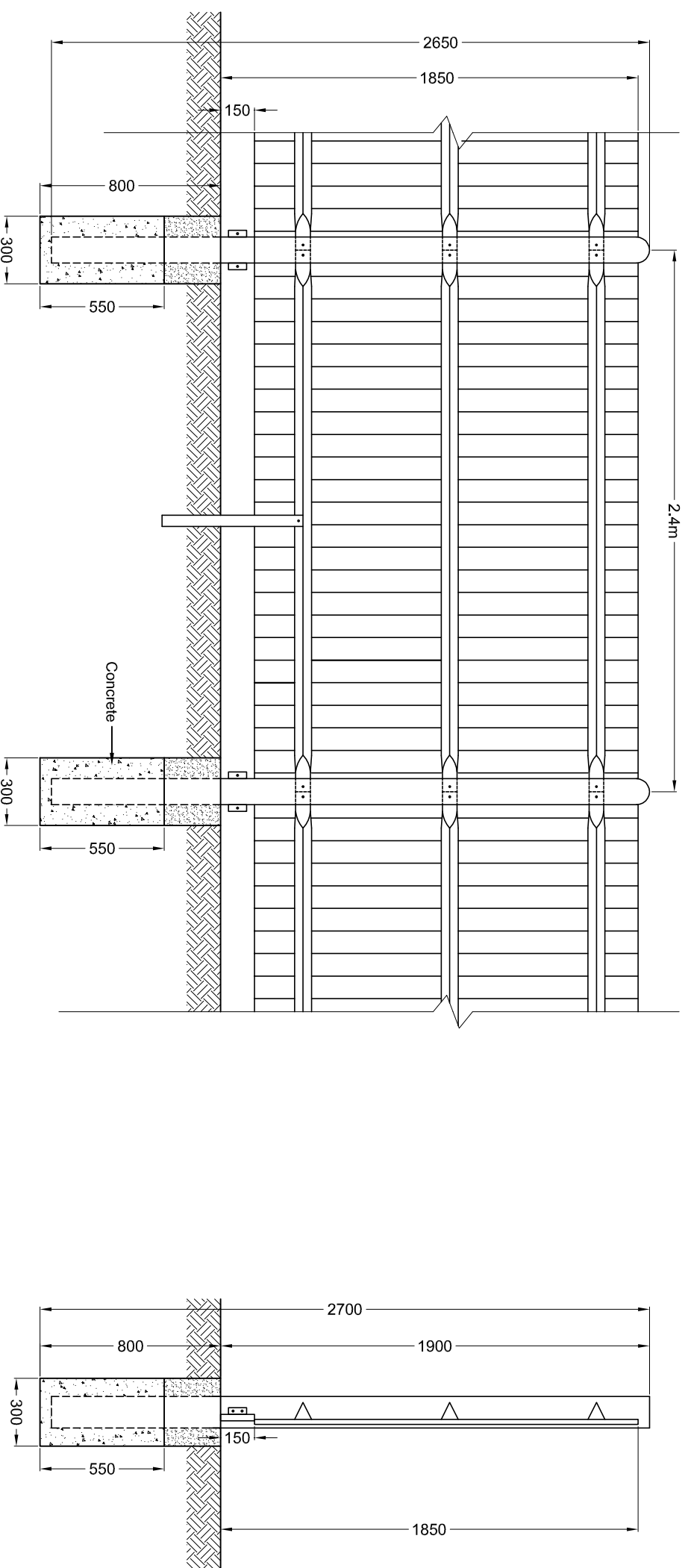


Refer to B.M.S.D.C. Fencing Policy

1850mm CLOSEBOARDDED FENCING

ALL FENCING WORKS TO BE IN ACCORDANCE WITH BS1722

**NOTE**  
 This drawing must not be reissued, loaned or copied without the written consent of Mid Suffolk District Council, (the originator).  
 All errors, omissions, discrepancies should be reported to the originator immediately.  
 All dimensions to be checked before site fabrication by the contractor, his sub-contractor or supplier.  
 Do not scale plans - use figure or grid dimensions where given.  
 Any deviation from the drawing to be reported to the originator immediately.



**MATERIALS**

- Morticed concrete posts 2650 x 140 x 115
- 3 x Timber arris rails
- 150 x 25mm Timber gravel boards
- 100mm wide featheredge boards
- Concrete for post footings to be GEN1.
- All nails and bolts to be galvanised to BS729.

**ERECTION**

- Aris rails to be on the owners side of the fence.
- Holes for concrete posts will not be less than 300mm square.
- Holes will be filled to a minimum of 550mm with concrete. The concrete will be well rammed as filling proceeds. Before the concrete has hardened the remainder of the hole will be filled with earth and well rammed as filling proceeds.
- Aris rails will be triangular cut from timber of 75mm x 75mm section.
- Top rails to be fixed at each end to mortised posts by means of M8 bolts.
- Centre stumps will be splay cut to fit under the bottom rail and will be nailed to the rail using one 65mm x 3mm galvanised nail.

- Feathered edged boards will be 100mm wide tapered from 13mm to 6mm provided at no less than 12 per metre. they will be lapped approximately 18mm when fixed. they will rest on top of the gravel board and be nailed to each aris rail with 50mm x 2.65mm galvanised nails. Each nail shall pierce one board only.
- Wooden gravel boards will be nailed with two 65mm x 3mm galvanised nails to a stump at the centre of each bay. They will also be bolted to galvanised angle cleats using one M8 bolt. The angle cleat will in turn be bolted to concrete posts with 2 x M8 bolts.

NOT TO SCALE

REV	DATE	DESCRIPTION	CLIENT	SCALE
PROJECT DESCRIPTION				
PROJECT FENCING CONTRACT				
SUBJECT		DATE	SCALE	
TYPICAL DETAIL		May 2020	NOT TO SCALE	
1850mm CLOSEBOARDDED FENCING				
PROJECT NR	DRAWING NR	REV	DRAWN	CHECKED
	07		J.O.	N.J.

**Babergh & Mid Suffolk District Council**

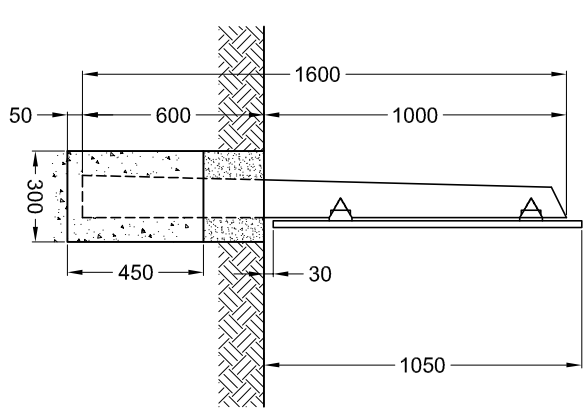
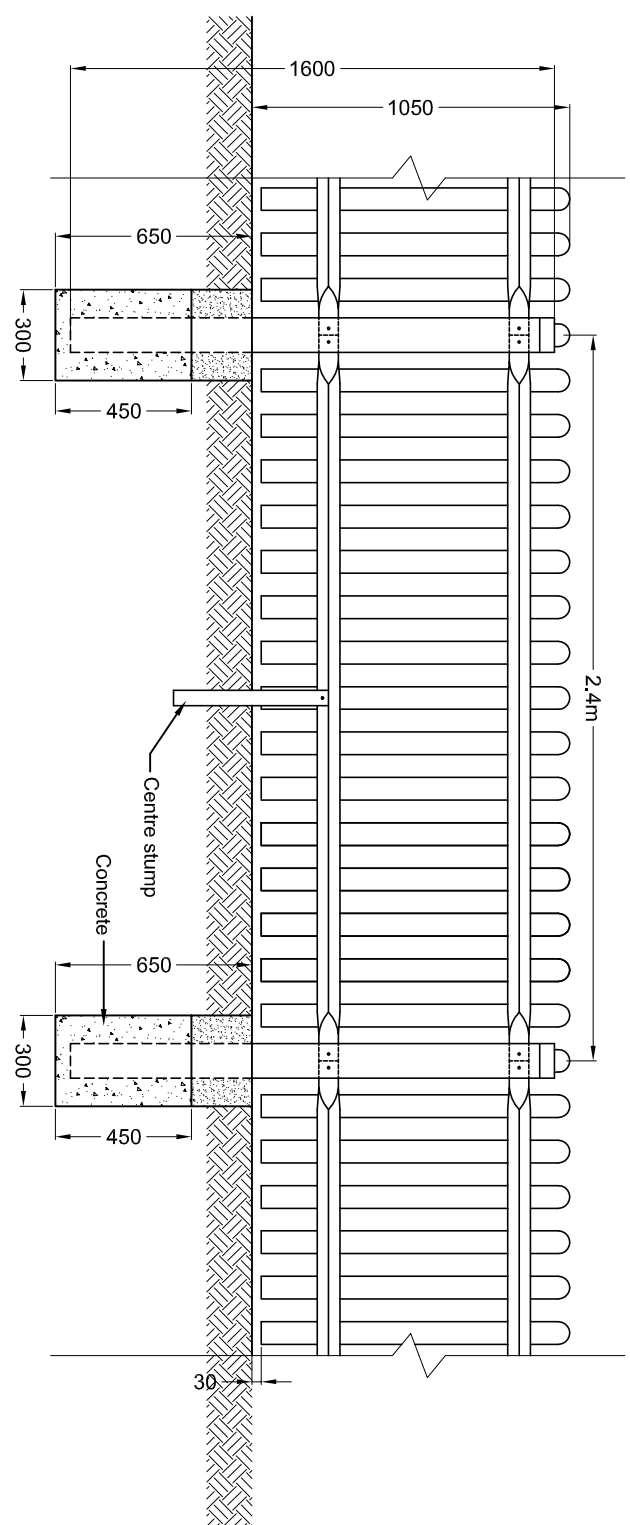
**BUILDING SERVICES**

Endeavour House, 8 Russell Road,  
 Suffolk, IP1 2BX.  
 Tel. No: 0300 1234000



Refer to B.M.S.D.C. Fencing Policy

### 1050mm PALISADE FENCING



- MATERIALS**
- Recessed concrete posts 1600 x140>100 x 115
  - 2 x Timber arris rails
  - Timber pales 75mm x 20mm
  - Concrete for post footings to be GEN1.
  - All nails and bolts to be galvanised to BS729.

- ERECTION**
- Aris rails to be on the owners side of the fence.
  - Holes for concrete posts will not be less than 300mm square.
  - Holes will be filled to a minimum of 450mm with concrete. The concrete will be well rammed as filling proceeds. Before the concrete has hardened the remainder of the hole will be filled with earth and well rammed as filling proceeds.
  - Aris rails will be triangular cut from timber of 75mm x 75mm section.
  - Both rails to be fixed at each end to recessed posts by means of M8 bolts.
  - Centre stumps will be splay cut to fit under the bottom rail and will be nailed to the rail using one 65mm x 3mm galvanised nail.
  - Pales will be 75mm x 20mm spaced 75mm apart. They will be nailed to each rail with 50mm x 2.6mm galvanised nails using two nails for each rail.

**NOTE**  
 This drawing must not be reissued, loaned or copied without the written consent of Mid Suffolk District Council, (the originator).  
 All errors, omissions, discrepancies should be reported to the originator immediately.  
 All dimensions to be checked before site fabrication by the contractor, his sub-contractor or supplier.  
 Do not scale plans - use figure or grid dimensions where given.  
 Any deviation from the drawing to be reported to the originator immediately.

**ALL FENCING WORKS TO BE IN ACCORDANCE WITH BS1722**

REV	DATE	DESCRIPTION	CLIENT	SCALE
PROJECT		FENCING CONTRACT		
SUBJECT		TYPICAL DETAIL 1050mm PALISADE FENCING		
PROJECT NR	DRAWING NR	REV	DRAWN	CHECKED
	08		J.O.	N.J.

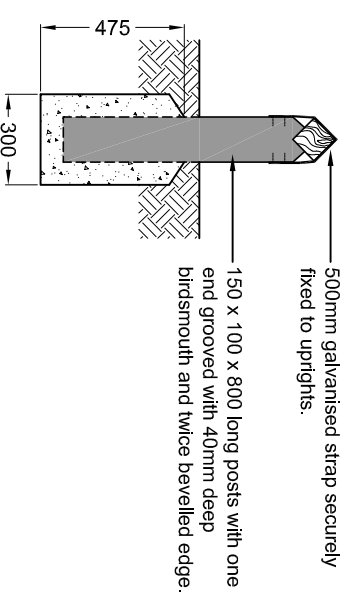
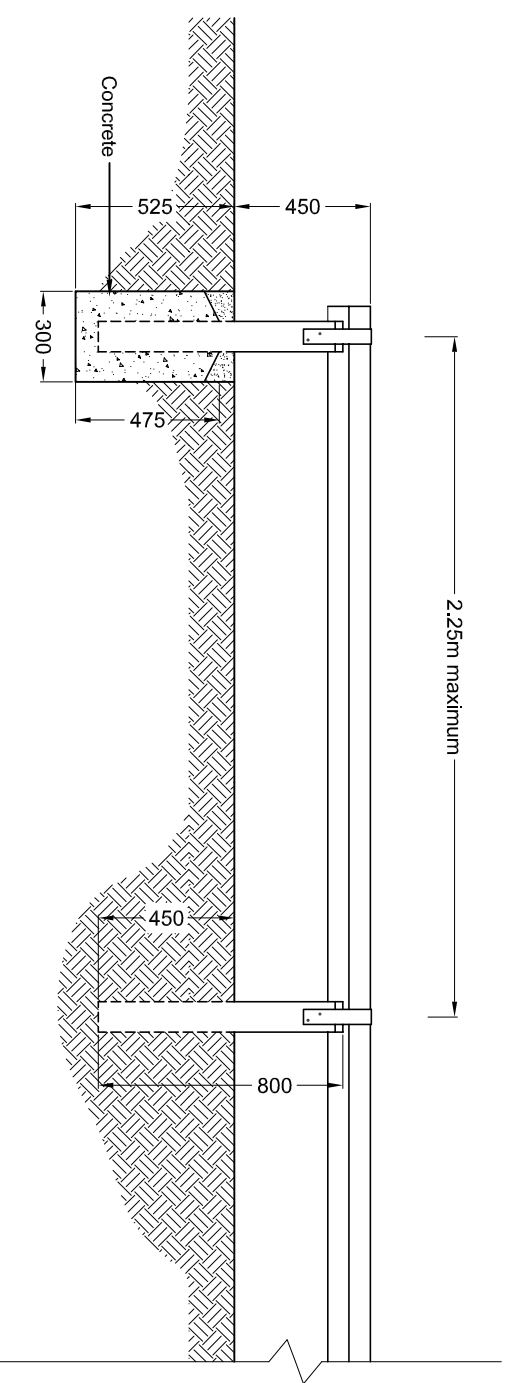
**Babergh & Mid Suffolk District Council**  
**BUILDING SERVICES**  
 Endeavour House, 8 Russell Road,  
 Suffolk, IP1 2BX.  
 Tel. No: 0300 1234000



**NOT TO SCALE**

Refer to B.M.S.D.C. Fencing Policy

### 450mm BIRDSMOUTH FENCING



End posts and change of direction posts with concrete backfill.

- MATERIALS**
- Concrete for post footings to be GEN1.
  - All nails and bolts to be galvanised to BS729.
  - Rails to be 100 x 100mm pressure treated planed softwood.
  - Posts to be 150 x 100 x 800mm pressure treated planed softwood.
- ERECTION**
- Holes for concrete posts will not be less than 300mm square.
  - Posts are to be backfilled in concrete at all changes of direction exceeding 15° vertically and 30° horizontally and at all end posts.
  - Holes will be filled to a minimum of 450mm with concrete. The concrete will be well rammed as filling proceeds. Before the concrete has hardened the remainder of the hole will be filled with earth and well rammed as filling proceeds.
  - Posts rails and birdsmouths to be chamfered as necessary at all changes of direction.
  - Except for concrete backfill, posts are to be erected in smallest hole possible.
  - Backfill other than concrete is to be well compacted acceptable material.

**NOTE**  
 This drawing must not be reissued, loaned or copied without the written consent of Mid Suffolk District Council, (the originator).  
 All errors, omissions, discrepancies should be reported to the originator immediately.  
 All dimensions to be checked before site fabrication by the contractor, his sub-contractor or supplier.  
 Do not scale plans - use figure or grid dimensions where given.  
 Any deviation from the drawing to be reported to the originator immediately.

**ALL FENCING WORKS TO BE IN ACCORDANCE WITH BS1722**

REV	DATE	DESCRIPTION	CLIENT	SCALE
PROJECT		FENCING CONTRACT		
SUBJECT		TYPICAL DETAIL		
		450mm BIRDSMOUTH FENCING	May 2020	NOT TO SCALE
PROJECT NR	DRAWING NR	REV	DRAWN	CHECKED
	09		J.O.	N.J.

**Babergh & Mid Suffolk District Council**  
**BUILDING SERVICES**  
 Endeavour House, 8 Russell Road,  
 Suffolk, IP1 2BX.  
 Tel. No: 0300 1234000



NOT TO SCALE